

**CREATING
A FOUNDATION
WITH LOCAL
CONDITIONS
IN MIND**

**YOUR SOLAR MOUNTING
SPECIALISTS**



PRODUCT CATALOGUE

TABLE OF CONTENTS

ROOFTOP MOUNTING HARDWARE

- 1.1 IBR Clamps
- 1.2 Klip-lok Clamps
- 1.3 Craftlock Clamps
- 1.4 Brownbuilt Clamps
- 1.5 Corrugated Clamps
- 1.6 Tiled Roof Mounting Hardware
- 1.7 Solar Hanger Bolt – Corrugated/IBR/Fiber Cement
- 1.8 Module Mid & End Clamps
- 1.9 A-Raymond Anti-Theft Module Clips
- 1.10 Flat Concrete Roof Ballast Mounting Hardware
- 1.11 Landscape Terraced Mount System
- 1.12 Rail Support P2000 & Unistrut
- 1.13 Fasteners & Fixtures
- 1.14 Cable Trays – Welded Wire Mesh
- 1.15 Cable Tray – Covers
- 1.16 PVC Trunking & Flexible Conduit

CARPORT SOLAR STRUCTURE

- 2.1 Single Bay Carport Structure
- 2.2 Double Bay Carport Structure

FIXED TILT GROUND MOUNT SOLAR STRUCTURE

- 3.1 FXT-2P – Two Post | FXT-4P – Four Post



PRODUCT WARRANTIES AND RATINGS

All mounting brackets are rated for 120 kg to 150 kg 'pull-off' load.

All mounting brackets are galvanised (HDG) and corrosion resistant.

All mounting brackets are ideal for inland and coastal applications.

All rooftop mounting brackets include insulated protection to limit metal on metal contact.

All components have a 10-year warranty (industry standard)





ALL ROOF TYPES

IBR
Corrugated
Brown-built
Craft-Lock
Klip-Lok
Tiled Rooftop
Flat Concrete Rooftop



TYPICAL ROOFTOP APPLICATIONS:

Solar PV Installation
Hot Water Heating
Trunking
Walkways



FIXED TILT GROUND MOUNT SOLAR STRUCTURE

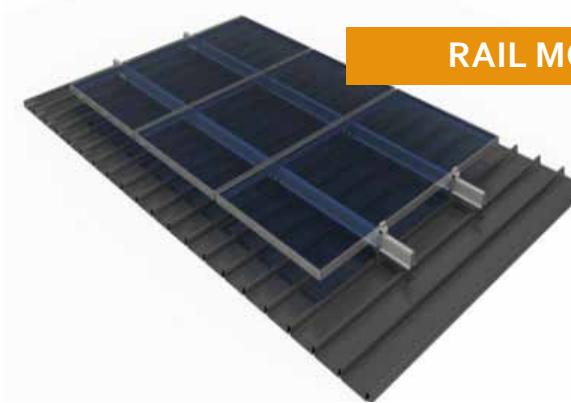
FXT-2P – Two Post Fixed Tilt Ground Mount
(For small scale or Inland applications)
FXT-4P – Four Post Fixed Tilt Ground Mount
(For larger scale & coastal applications)



SOLAR CARPORT STRUCTURE

Single Carport
Double Carport

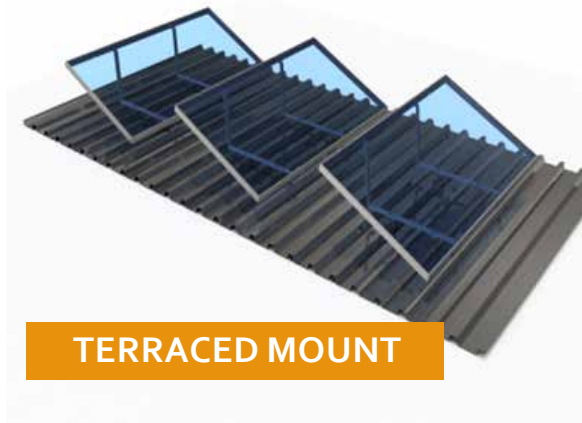
Rooftop Mounting Types



RAIL MOUNT



DIRECT MOUNT



TERRACED MOUNT

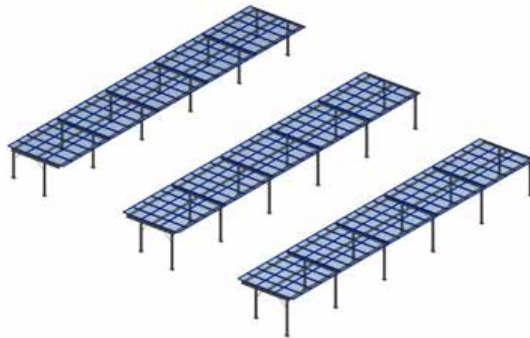


CONCRETE BALLAST MOUNT

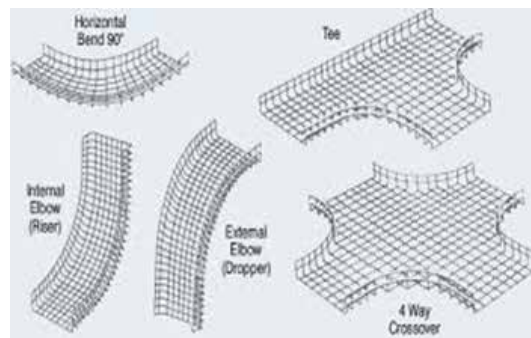
Fixed-Tilt Ground Mount Structure



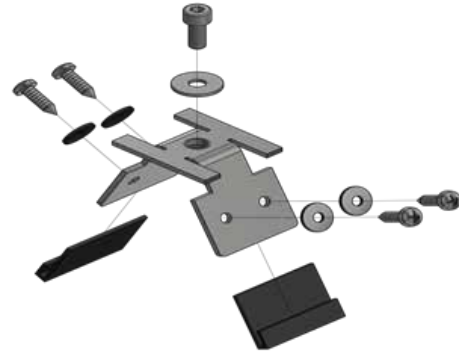
Solar Carport Structure



Cable Trays, Trunking & Cable Reticulation



1.1 IBR CLAMPS

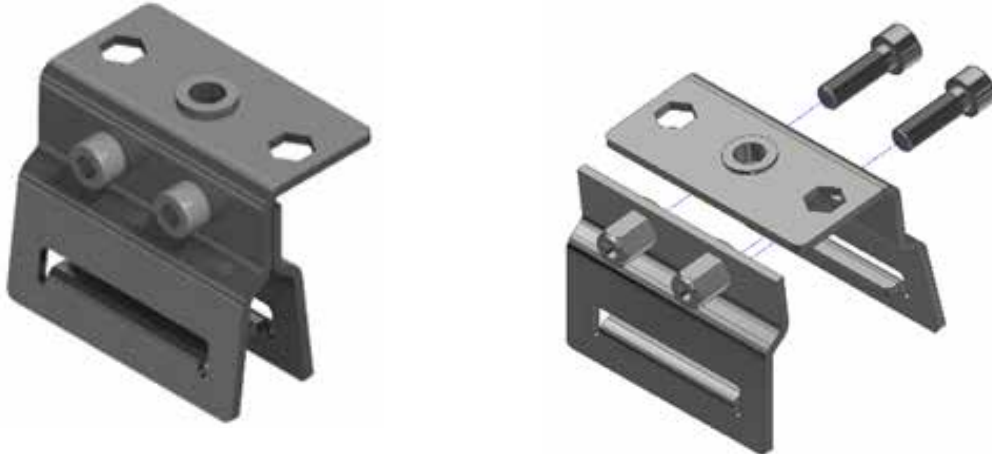


IBR CLAMP M6 / M8

ITEM DESCRIPTION	IBR M8 – Rail Mount Application IBR M6 – Direct Mount Application
ORIENTATION	Landscape / Portrait
ROOFTOP APPLICATION	IBR Profile
CLAMP MATERIAL	ISQ230 3mm Thick
COATING PROTECTION	HDG 55um
PULL OFF TEST LOAD	120 kg / Clamp point
FIXTURES AND FITTINGS	M6/M8 Socket Head Cap Screw
FIXTURES MATERIAL	Zinc Plated



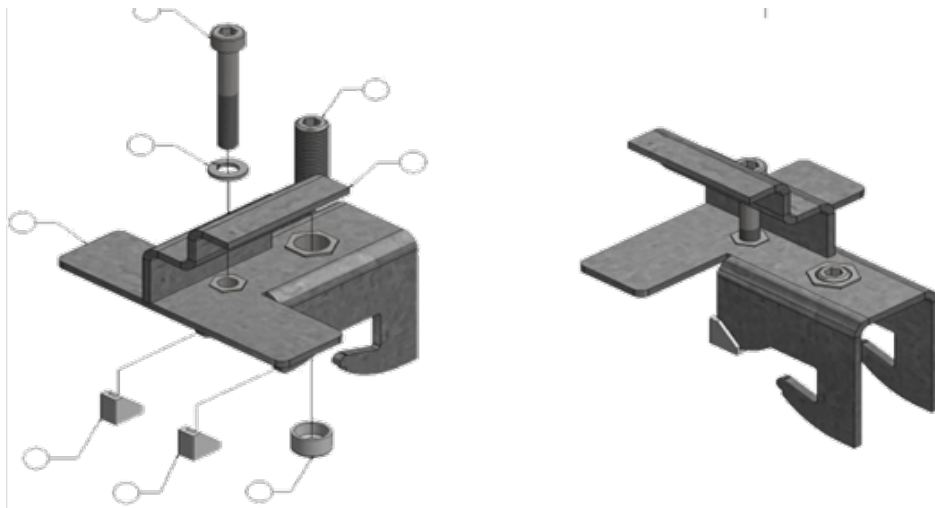
1.2 KLIP-LOK CLAMPS



KLIP-LOK CLAMP M6 / M8

ITEM DESCRIPTION	Klip-lok M8 – Rail Mount Application Klip-lok M6 – Direct Mount Application
ORIENTATION	Landscape / Portrait
ROOFTOP APPLICATION	Klip-lok Profile
CLAMP MATERIAL	ISO230 3mm Thick
COATING PROTECTION	HDG 55um
PULL OFF TEST LOAD	150 kg / Clamp point
FIXTURES AND FITTINGS	M6/M8 Socket Head Cap Screw
FIXTURES MATERIAL	Zinc Plated

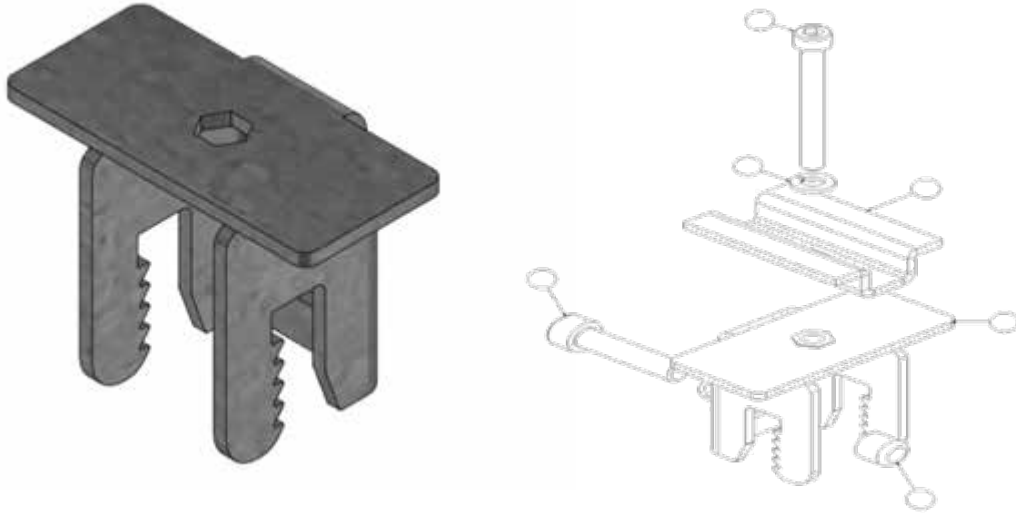
1.3 CRAFT-LOCK CLAMPS



CRAFT-LOCK CLAMP M6 / M8

ITEM DESCRIPTION	Craft-lock M8 – Rail Mount Application Craft-lock M6 – Direct Mount Application
ORIENTATION	Landscape / Portrait
ROOFTOP APPLICATION	Craft-lock Profile
CLAMP MATERIAL	ISO230 3mm Thick
COATING PROTECTION	HDG 55um
PULL OFF TEST LOAD	150 kg / Clamp point
FIXTURES AND FITTINGS	M6/M8 Socket Head Cap Screw
FIXTURES MATERIAL	Zinc Plated

1.4 BROWN-BUILT CLAMPS

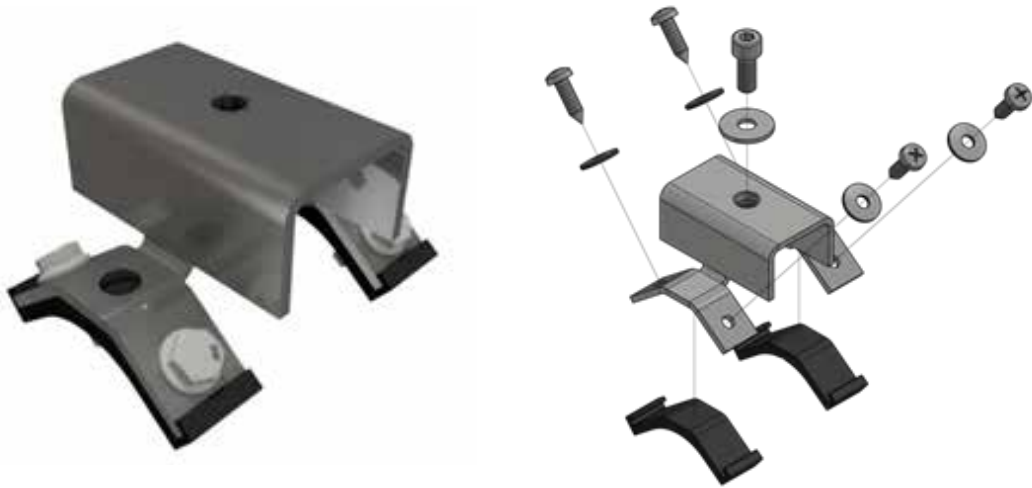


BROWNBUILT CLAMP M6 / M8

ITEM DESCRIPTION	Brown-built M8 – Rail Mount Application Brown-built M6 – Direct Mount Application
ORIENTATION	Landscape / Portrait
ROOFTOP APPLICATION	Brownbuilt Profile
CLAMP MATERIAL	ISQ230 3mm Thick
COATING PROTECTION	HDG 55um
PULL OFF TEST LOAD	120 kg / Clamp point
FIXTURES AND FITTINGS	M6/M8 Socket Head Cap Screw
FIXTURES MATERIAL	Zinc Plated



1.5 CORRUGATED CLAMPS



CORRUGATED CLAMP M6 / M8

ITEM DESCRIPTION	Corrugated M8 – Rail Mount Application Corrugated M6 – Direct Mount Application
ORIENTATION	Landscape / Portrait
ROOFTOP APPLICATION	Corrugated Profile
CLAMP MATERIAL	ISQ230 3mm Thick
COATING PROTECTION	HDG 55um
PULL OFF TEST LOAD	120 kg / Clamp point
FIXTURES AND FITTINGS	M6/M8 Socket Head Cap Screw
FIXTURES MATERIAL	Zinc Plated

1.6 TILED ROOF MOUNTING HARDWARE



Long: Batten Support



Short: Batten Support



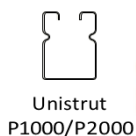
Perpendicular Rafter Support

OPTION 1: SHORT & LONG TILED ROOF BRACKETS

SHORT/LONG BRACKET	Suitable for batten Support
MOUNTING DISTANCE	1,2m Span between rail mounting Points
CLAMP MATERIAL	HDG Steel ISO1461
COATING PROTECTION	HDG 55um
FIXTURES AND FITTINGS	M8 Socket Head Cap & Wood Screws

OPTION 2: PERPENDICULAR TILED ROOF BRACKETS

LONG BRACKET SMS 1000 03A	Suitable for Roof Rafter Beam Support
MOUNTING DISTANCE	1,2m Span between mounting Points
CLAMP MATERIAL	HDG Steel ISO1461
COATING PROTECTION	HDG 55um
FIXTURES AND FITTINGS	M8 Socket Head Cap & Wood Screws



Mounting points at a minimum of 1,2m apart

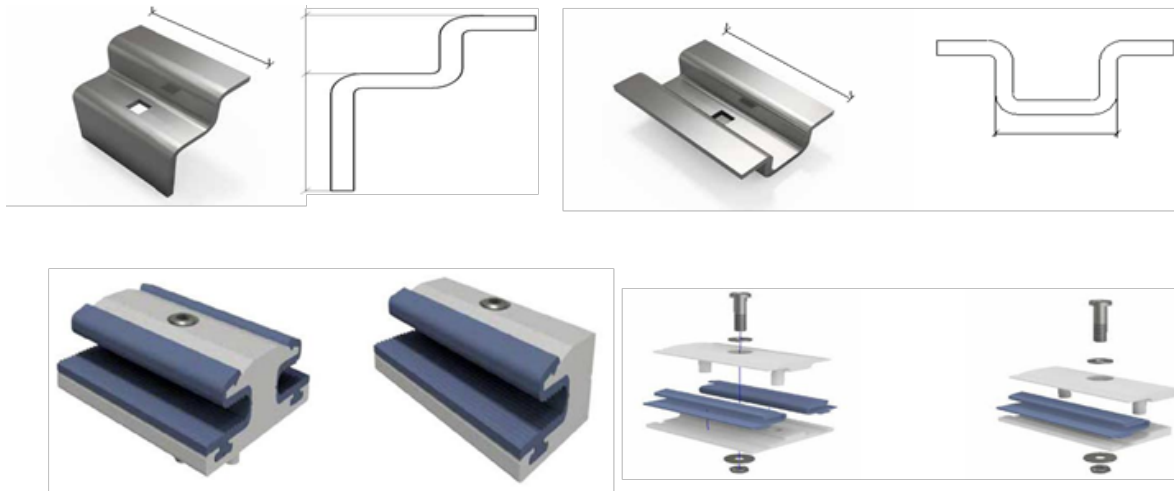
1.7 SOLAR HANGER BOLT



HANGER BOLT

ITEM DESCRIPTION	Hanger Bolt – Rail Mount Application
ORIENTATION	Landscape / Portrait
ROOFTOP APPLICATION	Corrugated/IBR/Fibre Cement. Wooden Truss Fixing
BRACKET MATERIAL	ISQ230 3mm Thick
COATING PROTECTION	HDG 55um & Rubber Sleeve
PULL OFF TEST LOAD	120 kg / Clamp point
FIXTURES AND FITTINGS	M6/M8 Socket Head Cap Screw
FIXTURES MATERIAL	Zinc Plated

1.8 MODULE CLAMPS Framed /Thin Film



FRAMED MID & END CLAMPS M6

ITEM DESCRIPTION	Omega: Mid Module Clamp M6 Zeta: End Module Clamp M6
SIZE	3mm x 55mm
MODULE THICKNESS	35/40/45/50mm
CLAMP MATERIAL	ISO230 3mm
COATING PROTECTION	HDG 55um
FIXTURES AND FITTINGS	M6 SHCS / Spring Nuts
FIXTURES MATERIAL	Zinc Plated
	Suit 60/72 Cell Framed Modules

THIN FILM MID & END CLAMPS

SIZE	80mm
MODULE THICKNESS	6,8mm
CLAMP MATERIAL	IWB230BK1000 UV Stabaliser
COATING PROTECTION	H30% Glass Fibre Reinforced

1.9 A-RAYMOND Anti-Theft & Grounding Clip



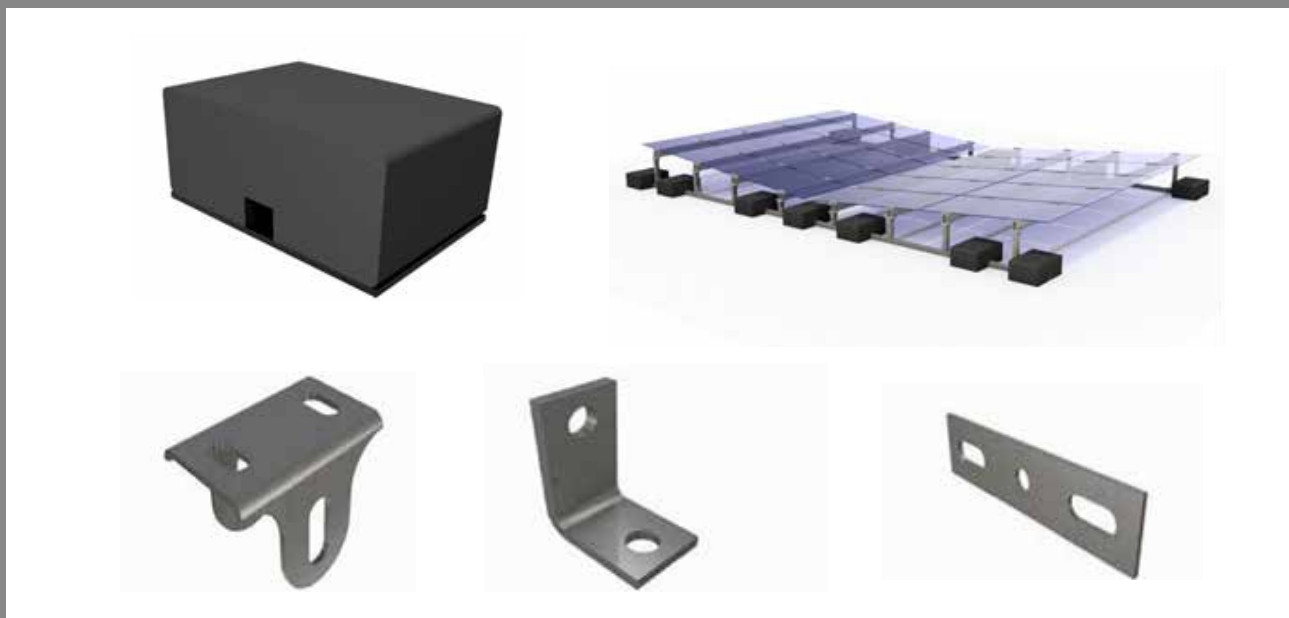
A-RAYMOND - ANTI-THEFT CLIP (POWAR SNAP S)

ITEM DESCRIPTION	Fastening and grounding in a single operation. Up to 5 times faster than a clamp. Easy to use. Tool-free set up.
PERFORMANCE	Tested by accredited laboratories and qualified by major module manufacturers. High protection against corrosion and lightening. Grounding continuity of the string preserved when a module is dismantled for maintenance. Anti-theft designed. Grounds the module to the structure, no other earthing required between modules.

RAYVOLT® GROUNDING CLIP FOR ELECTRICAL MANAGEMENT

ITEM DESCRIPTION	Single action required to cut wire insulation, connecting the wire and fixing it to the frame. Free positioning on frame and regarding distances between modules
PERFORMANCE	Mechanically and electrically: complies with product norms IEC61730-2:2007, IEC60947-1:2007 and EN60068-2-11:1999 (1). For all modules with aluminium frame thickness from 1,5 to 2,5mm and multi-strand flexible cable cross section of 6mm ² (Ho7V-K6 mm ²).

1.10 FLAT CONCRETE BALLAST MOUNT



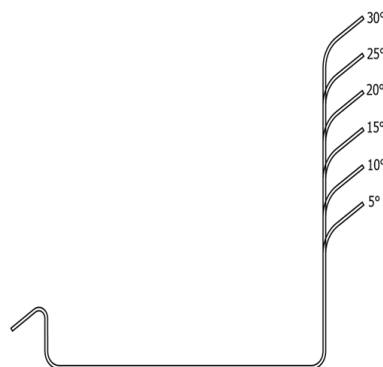
CONCRETE BALLAST SYSTEM

ITEM DESCRIPTION	
	Terraced Ballast – Up to 30° Module Tilt Angle
CONCRETE BALLAST	30 kg (25 Mpa) including Correx Sheet Protection
PIVOT U BRACKET	ISQ 230/CQ
BALLAST ANGLE BRACKET	ISQ 230/CQ
BALLAST SPLICER PLATE	ISQ 230/CQ
BALLAST CORREX SHEET	Correx Board 4mm
UNISTRUT P2000 (1,6MM)	S550 Slotted Pre Galv / HDG
TOP HAT PURLIN	S350 Slotted Z275 / HDG

1.11 LANDSCAPE TERRACED MOUNT



Purlin-less Landscape

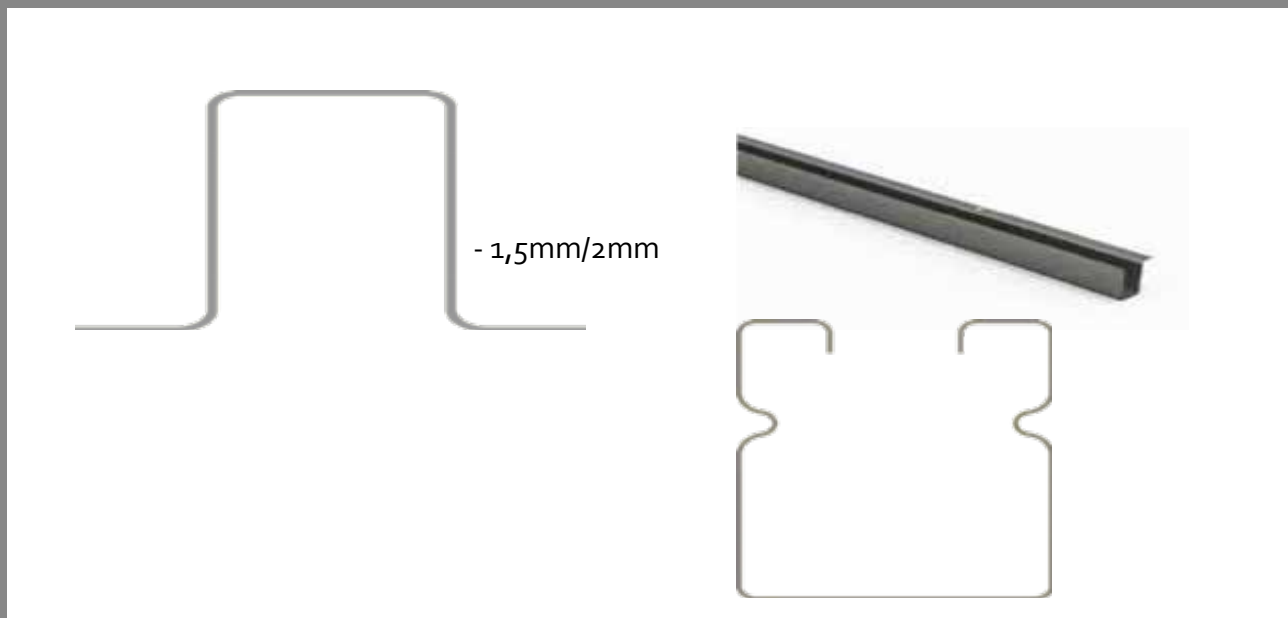


Cross Section

TERRACED ANGLED SYSTEM

ITEM DESCRIPTION	Terraced Bracket– 5° to 30° Tilt Angle
MATERIAL	S355
MATERIAL TREATMENT	HDG
MATERIAL WIDTH	50mm x 5mm
TILT ANGLE	5° to 30°
ORIENTATION	Landscape (2 x Brackets per Module)
DIRECT MOUNTING	Direct Mount onto roof profile Clamp
RAIL MOUNTING	Unistrut P2000 (1,6mm) / Top Hat

1.12 RAIL SUPPORT PURLIN & UNISTRUT



P2000 UNISTRUT

DESCRIPTION	P 2000 Slotted Unistrut
DESCRIPTION	P2000 41mm x 41mm x 1 or 1,6mm
MATERIAL	iSO 550
TREATMENT	Z275 / HDG
LENGTHS	5m & 6m

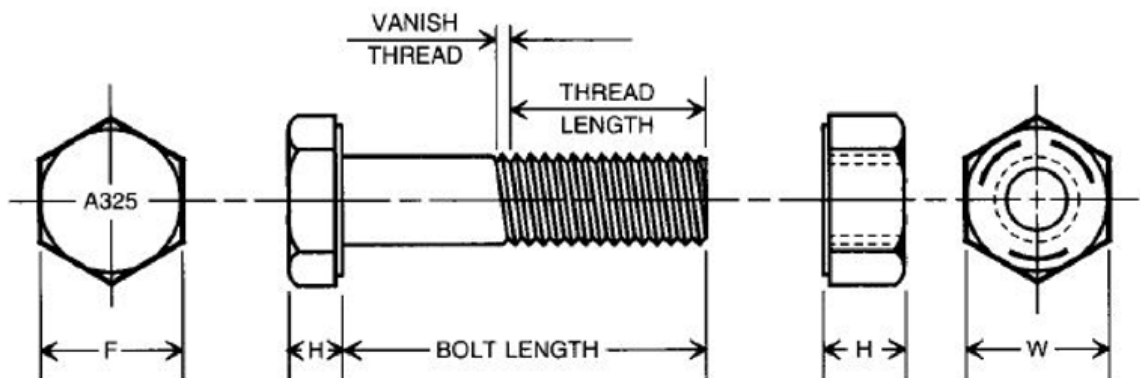
TOP HAT PURLIN

DESCRIPTION	Top Hat Slotted Purlin
DESCRIPTION	Top Hat 3mm Thick
MATERIAL	iSO 550
TREATMENT	Z275 / HDG
LENGTHS	1m – 6m

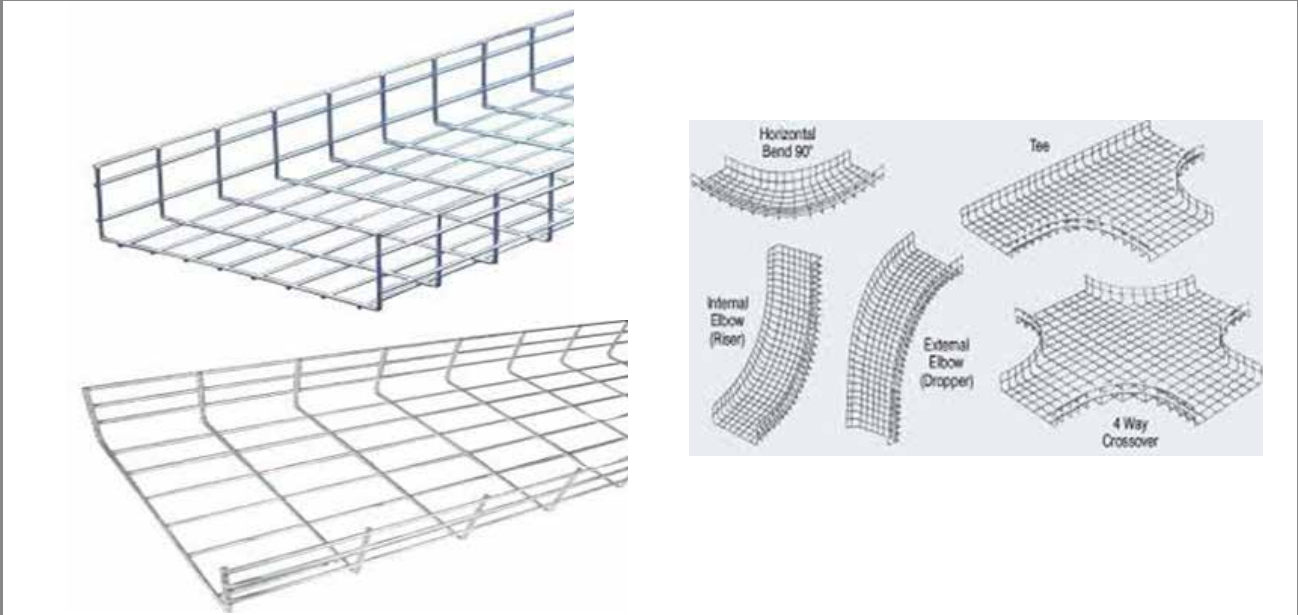
1.13 FASTENERS & FIXTURES



SunMount provides a full range of fasteners (Bolts, Screws, Washers, Nuts and Special fasteners) for all Rooftop, Ground Mounted and Carport requirements. The minimum coating requirement, for all fasteners to be Zinc Plated, followed by a clear passivation treatment. The thickness is 13µm (micron) minimum, limited to the basic thread size (tolerances ISO-6h or ISO-6H) after coating. Colour is silver. Corrosion is minimum 120hrs salt spray for Zinc corrosion and minimum 500hrs salt spray for ferrous corrosion. Service temperature 120°C maximum. Torque specification are in line with each fastener DiN Spec.



1.14 CABLE TRAYS – Welded Wire Mesh



MEDIUM DUTY CABLE TRAY

ITEM DESCRIPTION

3000mm standard length (Horizontal, Elbow & T Bend Shapes available)
 Pitch 100 x 50mm Walls or 50 x 50mm Walls
 Wire Diameter 4mm - Standard finish Hot Dip Galvanised (HDG)
 Hold Down Saddle & Joiner Clamp (HDG).
 Other Material Sizes & Finishes on request

HEAVY DUTY CABLE TRAY

ITEM DESCRIPTION

3000mm standard length (Horizontal, Elbow & T Bend Shapes available)
 Pitch 100 x 75mm Walls or 150 x 75mm Walls
 Wire Diameter 5mm - Standard finish Hot Dip Galvanised (HDG)
 Hold Down Saddle & Joiner Clamp (HDG).
 Other Material Sizes & Finishes on request.

1.15 CABLE TRAY COVERS



CABLE TRAY COVERS

ITEM DESCRIPTION

Flat Covers and cover clips available for perforated trays and RF trays, CL55/76
 PW75/100/150 and CL130 Ladders
 Standard Length: Closed covers 1,5m Long
 Peaked covers available on request for all cable ladder straights only.
 Special lengths, materials and coating on request.
 All Covers made to order.



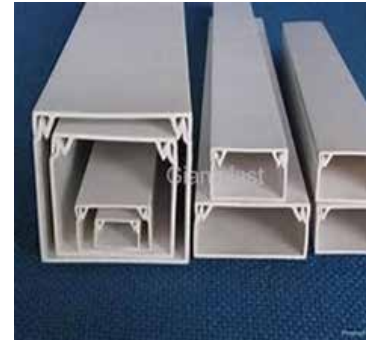
Clip-on Support Channel
 Horizontal or vertical installation
 No saddles required
 Bend over tabs to secure
 1200mm standard length
 Material Thickness: 1,6mm

CLIP ON SUPPORT CHANNEL & ACCESSORIES

ITEM DESCRIPTION

Horizontal or Vertical Installation. Bend Over Tabs to Secure.
 Material Thickness: 1,6mm – Order Joiner Clamp Sets Separately.

1.16 PVC TRUNKING & FLEXIBLE SPRAGUE TUBING



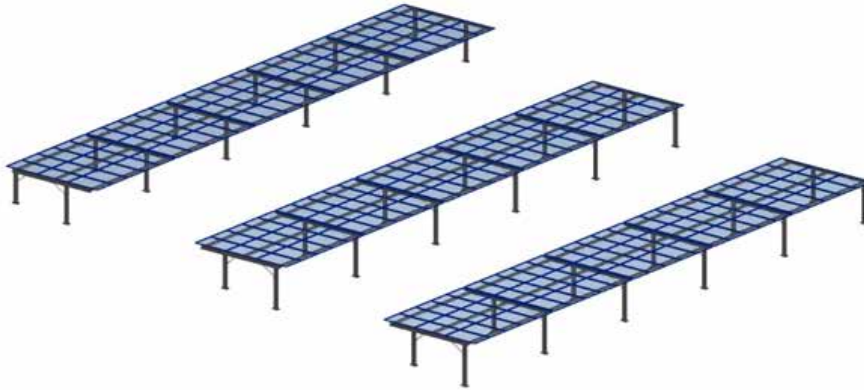
PVC TRUNKING

DESCRIPTION	PVC Trunking – Grey/White
SIZES (MM)	25X25X3000; 50X50X3000; 100X100X3000
MATERIAL	PVC (Polyvinyl Chloride)
ACCESSORIES	Stop End Covers: 25/50/100mm
LENGTHS	3m

FLEXIBLE SPRAGUE TUBING / CONDUIT

DESCRIPTION	Flexible Sprague Tubing (White)
SIZES (MM)	25mm x 50m
MATERIAL	Convuluted Tubing Low
LENGTHS	50m rolls

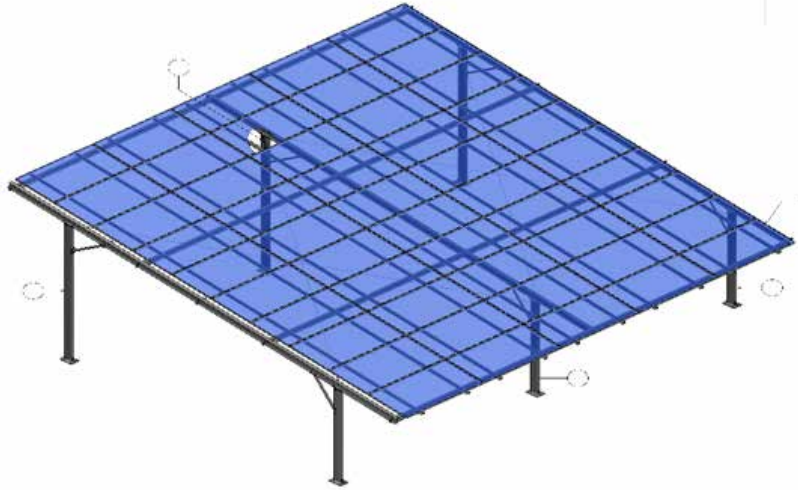
2.1 SINGLE BAY SOLAR CARPORT



CARPORT SINGLE BAY

DESCRIPTION	Carport Single Starter & Extension
ORIENTATION	Portrait
BAY COVERAGE	x 4 Bays side by side
MODULE COVERAGE	x 30 (72 Cell) * Width: 5m; Length: 10m (Starter & Extension)
COATING PROTECTION	HDG 55um
APPLICATION	Framed Modules 72/60 Cell
TILT ANGLE	5 – 10°
PARKING ORIENTATION	North Facing North/South Entry

2.2 DOUBLE BAY SOLAR CARPORT



CARPORT DOUBLE BAY

DESCRIPTION	Carport Double Starter & Extension
ORIENTATION	Landscape
BAY COVERAGE	x 8 (x 4 Side by Side & Front on)
MODULE COVERAGE	x 50 (72 Cell) Width: 10m; Length: 10m (Single & Starter)
COATING PROTECTION	HDG 55um
APPLICATION	72/60 Cell
TILT ANGLE	5 – 10°
PARKING ORIENTATION	North Facing North/South entry

3.1 FIXED AND ADJUSTABLE TILTED GROUND MOUNTS



FRS 5 X 6/2P

TILT ANGLE:	10 – 30°.
ORIENTATION	Portrait
CONCRETE BASE / RAMMING ANCHOR	Rock Anchor / Sand Screw / Concrete Base.
GALVANIZING	ISO 1461 > 55µ (Steel Grade S355).
COATING PROTECTION	Galvanised: HDG 55µm / Pre-galv Z275
MODULES / TABLE	5m table = 10 mod; 6m table = 12 modules
MIN ROW LENGTH	5m
ROW DESIGN	Up to 200m row lengths utilising 5 or 6m tables
WIND LOAD	Up to 28m/sec continuous wind load use of 6m tables in inner rows
MAX ROW LENGTH	Length can be as long as required with the use of splicer plates for seamless connection
MODULES SUPPORTED	System supports framed, glass and thin film modules of all sizes and brands
GROUND CLEARANCE	300 to 800 mm, lower module edge to ground depending on tilt angle
SHIPPING CONTAINER	220 ft for 5m tables or else 40 ft for 6m tables

SUNMOUNT SYSTEMS PTY (LTD) | Postnet Suite 177 | Private Bag X3 | Northgate |
Randburg | 2162 | South Africa Office: +27 010 500 0765 | Email: info@sunmount.co.za |
www.sunmount.co.za

The contents of this document are both privileged and confidential and may not be disclosed or reproduced without the express authorization of the authors, being
SUNMOUNT SYSTEMS (Pty) Ltd.

All Items and products fall within the Intellectual Property of Sunmount Systems Pty Ltd. Any unauthorized reproduction, adaption, alteration, publication, distribution or dissemination of the whole or any part of this document or its products will constitute an act of copyright infringement in terms of the copyright Act 98 of 1978 and will make the doer/transgressor liable to civil action and or criminal prosecution.

Note: Some images and specifications may vary from what is displayed in this catalogue.

